

Adjustable Guardrail Gate (GRGA) Installation Instructions

⚠️ WARNING

PLEASE READ AND FOLLOW THESE INSTRUCTIONS BEFORE INSTALLING, USING OR DISMANTLING THIS ADJUSTABLE GATE. SERIOUS INJURY OR DEATH CAN RESULT FROM FAILURE TO FAMILIARIZE YOURSELF AND COMPLY WITH ALL APPLICABLE SAFETY REQUIREMENTS OF FEDERAL, STATE, LOCAL AND PROVINCIAL REGULATIONS.

INSTALLATION AND DISMANTLING MUST BE DONE UNDER SUPERVISION OF A COMPETENT PERSON EXPERIENCED IN SCAFFOLD ERECTION AND DISMANTLING. DO NOT USE IN ANY OTHER FASHION OR WITH ANY OTHER COMPONENTS WITHOUT CONSULTING SAFWAY.

Installation

1. Determine the type of scaffold on which the gate will be installed.
2. Determine bay size (leg spacing or frame width).
3. Adjust the gate accordingly based on frame and/or type of scaffolding used.
4. Position the gate on the inside of the platform so the top rail of the gate is between 38" – 45" above the platform. Refer to federal, state, local and provincial regulations for actual top rail height requirement.
Note: Gate must swing inward.
5. Tighten clamps to 40 ft./lb. minimum.
6. Check operation of the gate to ensure it closes properly and does not swing beyond the leg, post or frame.

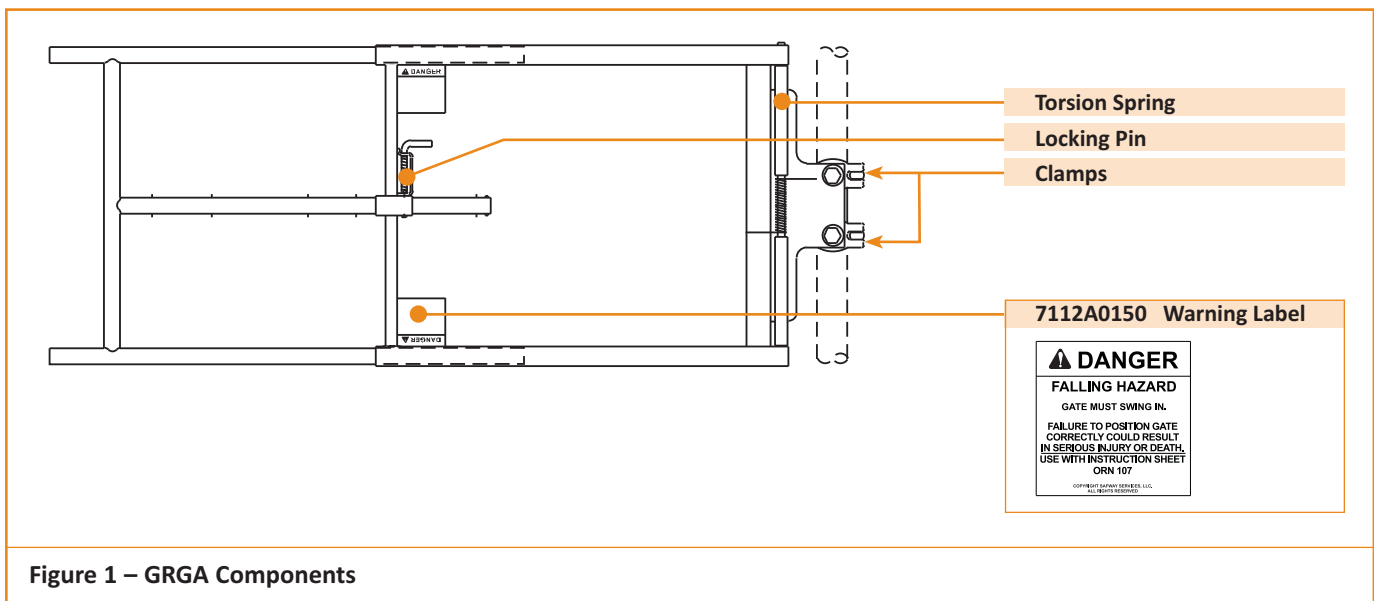


Figure 1 – GRGA Components

2 Gate Configurations

Gate can be installed on either side (Fig. 2, Fig. 3).

Position the gate on the inside of the platform so the top rail of the gate is between 38" – 45" above the platform (Fig. 4). Refer to federal, state, local and provincial regulations for actual top rail height requirement.

Note: Gate must swing inward.

Torsion spring will automatically close gate.

Tip of locking pin will extend through hole when pin is fully engaged.

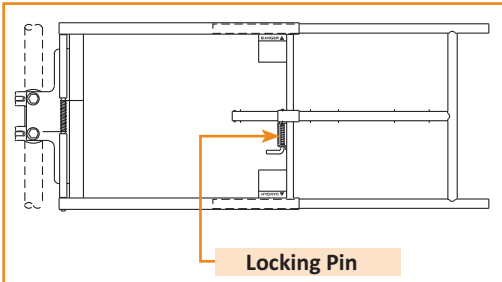


Figure 2 – Left Hand View of Gate
(from inside scaffold)

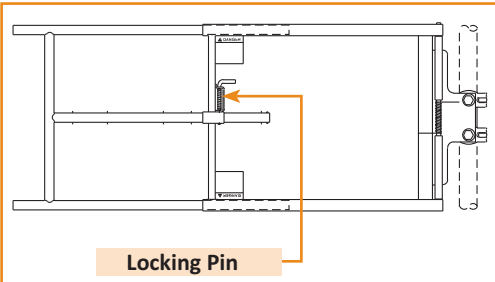


Figure 3 – Right Hand View of Gate
(from inside scaffold)

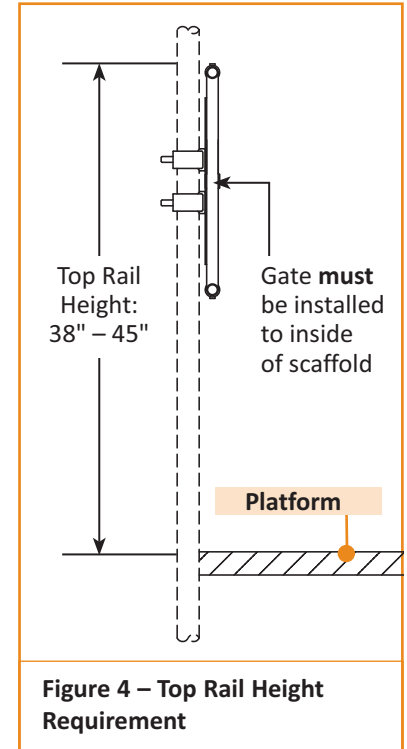


Figure 4 – Top Rail Height Requirement

Hole Identification and Positioning

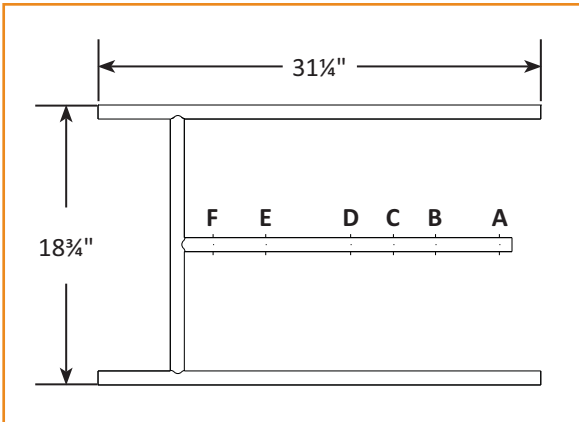
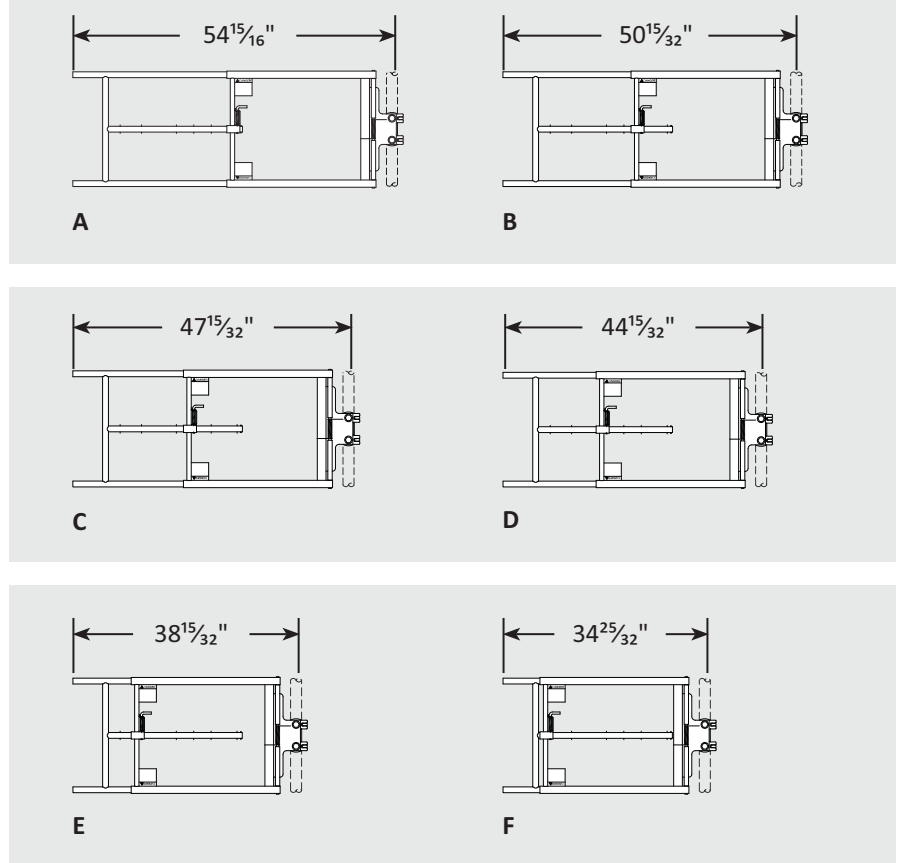


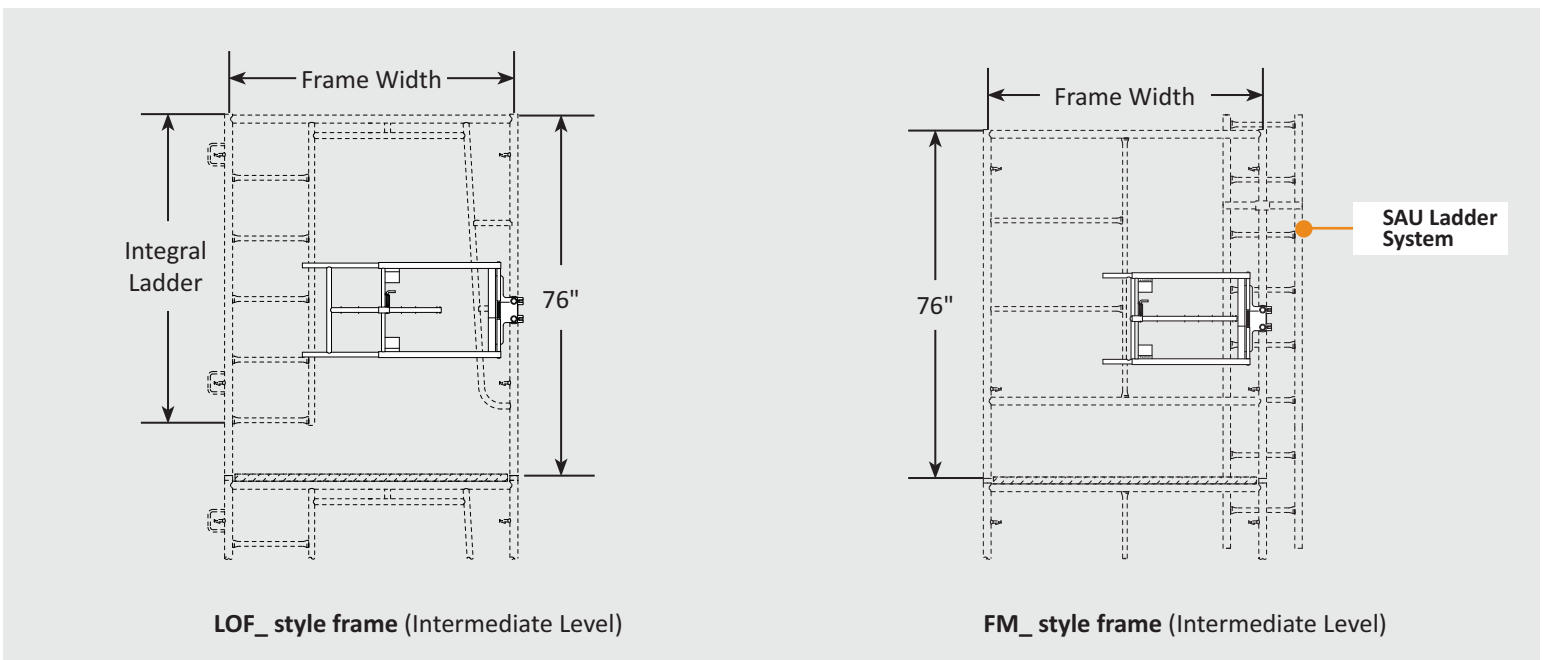
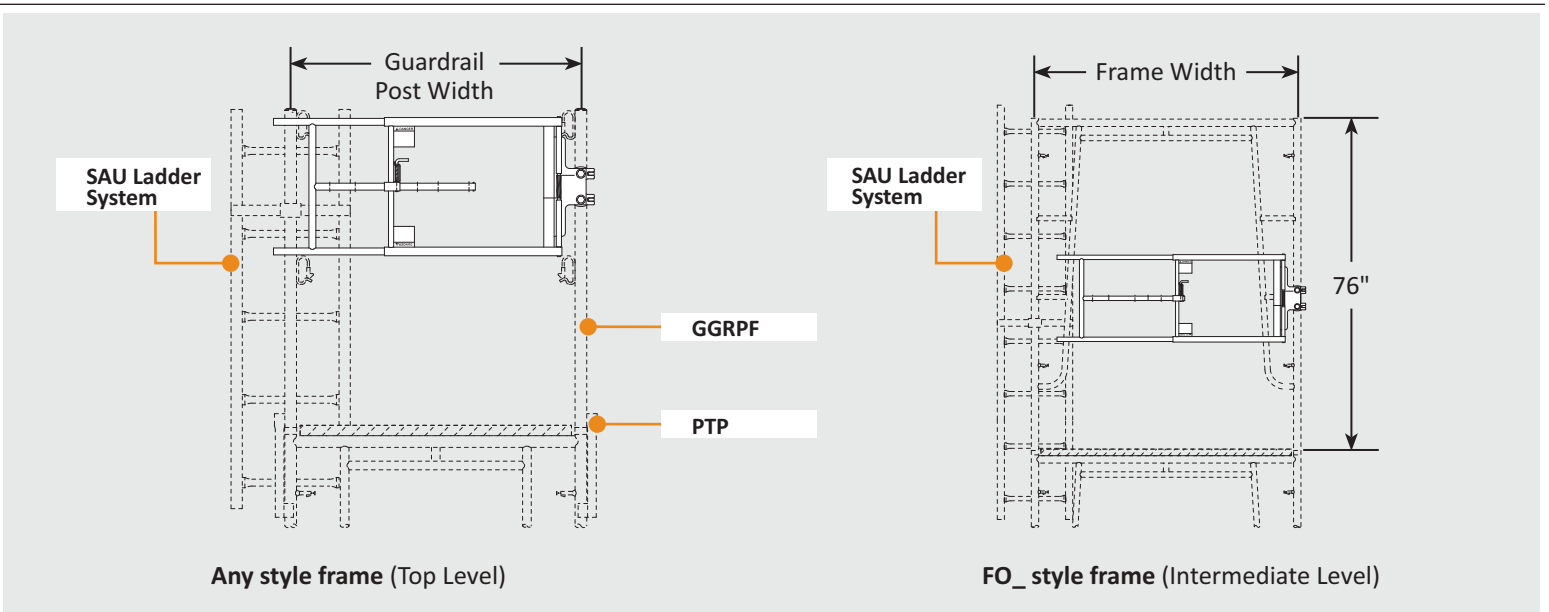
Figure 5 – Pin Hole Identification



Installation on Sectional Frames

Frame Type	Top Level Guardrail Post Width	Intermediate Level Frame Width	Hole Position (Fig. 5)
Any style*	48"	-	B
Any style*	42"	-	D
Any style*	36"	-	E
FO_	-	42"	E
FO_	-	48"	D
FO_	-	60"	A
LOF_	-	60"	D
FM_	-	60"	F

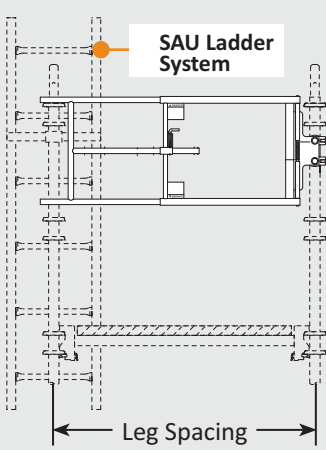
*GGRP and PTP must be installed. For 60" frame width, use GRG5DH.
No 36" configuration available for FO_ Style frame (Intermediate Level).



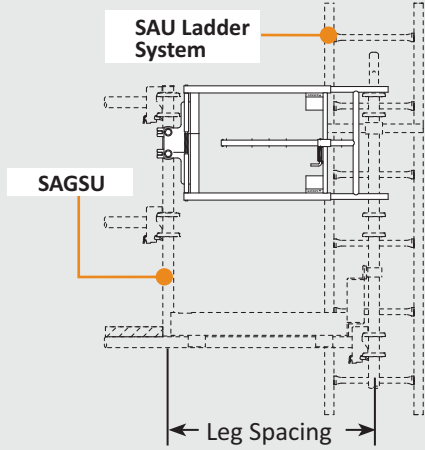
4 Installation on Other Types of Scaffold

Installation on Systems™ Scaffold

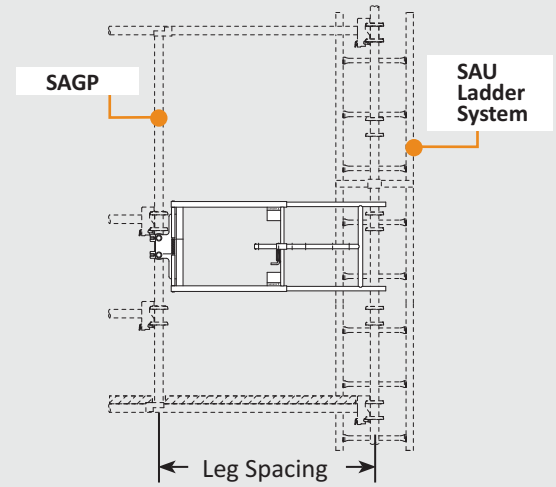
Leg Spacing	Hole Position (Fig. 5)
33"	F
36"	E
42"	D
45"	C
48"	B



Systems™ Bays (up to 48")



Systems™ Gate Unit



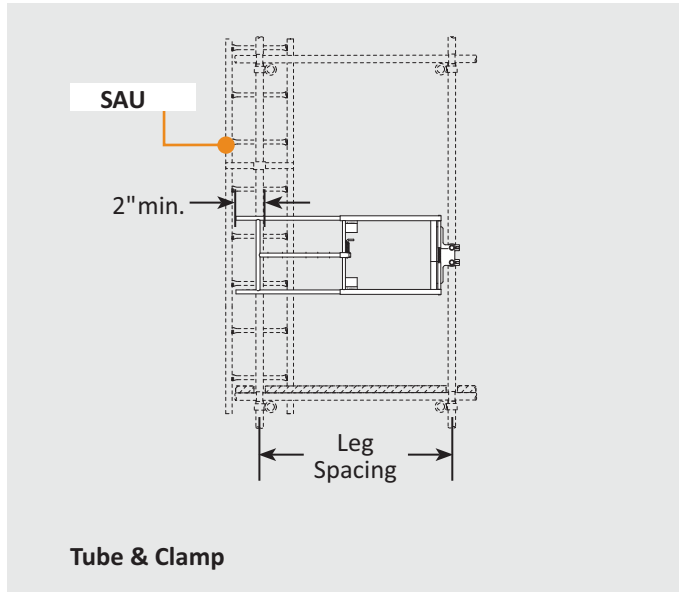
Systems™ Gate Post

Installation on Tube & Clamp Scaffold

Leg Spacing	Hole Position (Fig. 5)
33"	E
36"	D
42"	C
45"	B
48"	A

All drawings in this guide are for illustrative purposes only. This guide is intended for general information purposes only. Because of the many variables which affect the performance of the product line, some of the information in this brochure may not apply. For specific applications, contact Safway.

Note: All scaffolds shall be erected, modified and dismantled only under the supervision of a Competent Person. Erection, use, maintenance and disassembly must conform to current manufacturer's instructions as well as all federal, state, provincial and local regulations. Copies of complete Safety Guidelines for these and other products are available from Safway without charge.



Tube & Clamp

Safway Services, LLC
 Corporate Headquarters
 N19 W24200 Riverwood Drive
 Waukesha, WI 53188
 Toll free: (800) 558-4772
 Telephone: (262) 523-6500

For a list of branch locations in the United States and Canada, visit our website at www.safway.com

©2010 Safway Services, LLC. All Rights Reserved.

ORN 107 Rev. B 1/10