



New Product Announcement

Systems™ Retractable Lifeline Bracket (SRLB)



Part No.	SRLB
Weight	14.5 lbs.
Released	May 2008
Related Documentation	Retractable Lifeline Bracket (SRLB) Installation Instructions – ORN 254

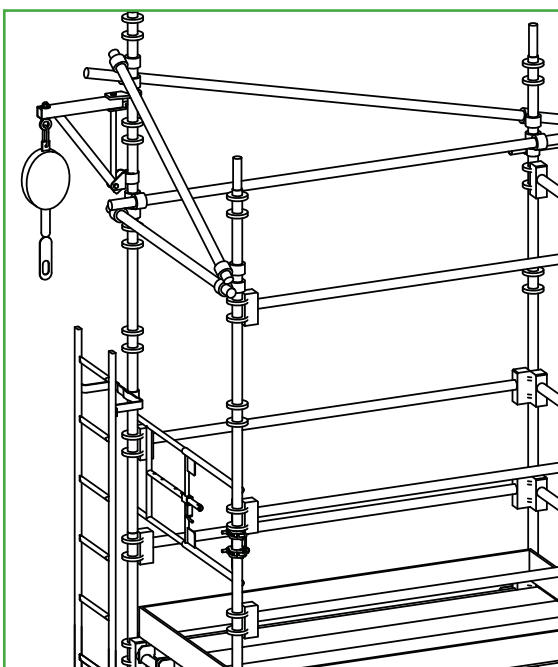
To be installed directly above ladder for the support of self-retracting lifeline. Self-retracting lifeline to be attached to personnel harness when climbing ladder.

Features and Benefits

- Safway® branded to demonstrate mark of quality
- Hot-dipped galvanized to resist corrosion
- Forged steel retractable lifeline suspension point provides superior strength and durability
- Twist-lock mounting hooks for fast, easy installation and adjustment
- Light weight makes SRLB easy to transport

Additional Information

- For use with approved self-retracting lifeline – order separately
- For use with 1.90" O.D. and 1.69" O.D. tube
- Designed for use as part of a Fall Arrest System, not generating more than 900 lbs. maximum fall arrest force.
- Must be used in accordance with installation instructions (ORN 254)



General Configuration (Systems™ Scaffold shown for illustrative purposes)

Safway Services, LLC

Corporate Headquarters
N19 W24200 Riverwood Drive
Waukesha, WI 53188
Toll free: (800) 558-4772
Telephone: (262) 523-6500

For a list of branch locations in the United States and Canada, visit our website at www.safway.com

©2010 Safway Services, LLC. All rights reserved.

